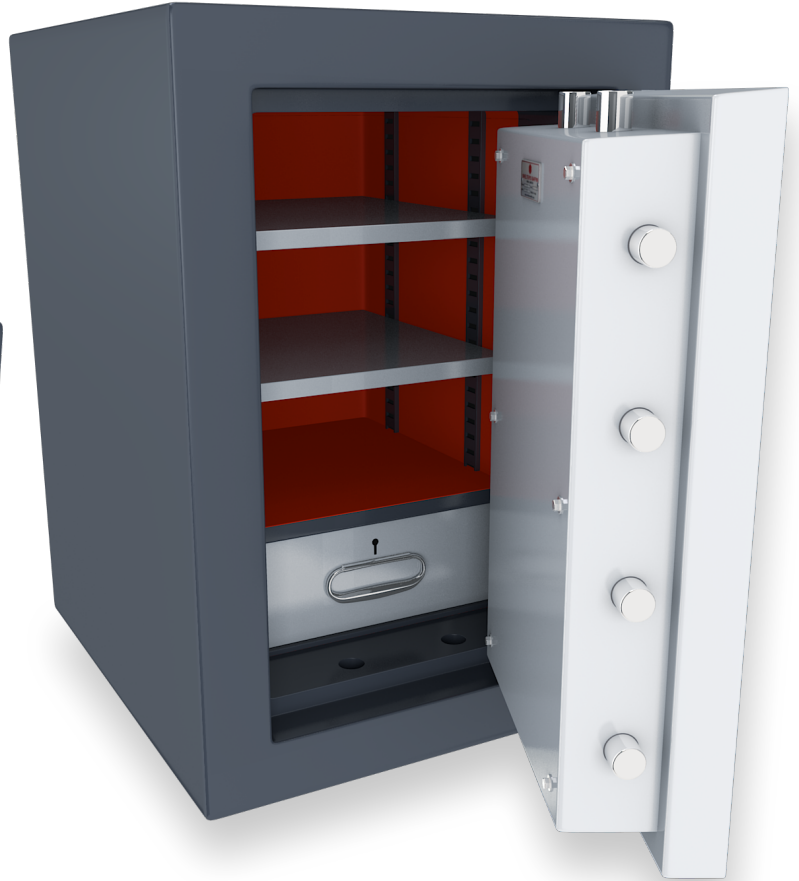




# SHELTER'S SAFFIN INDIA LIMITED

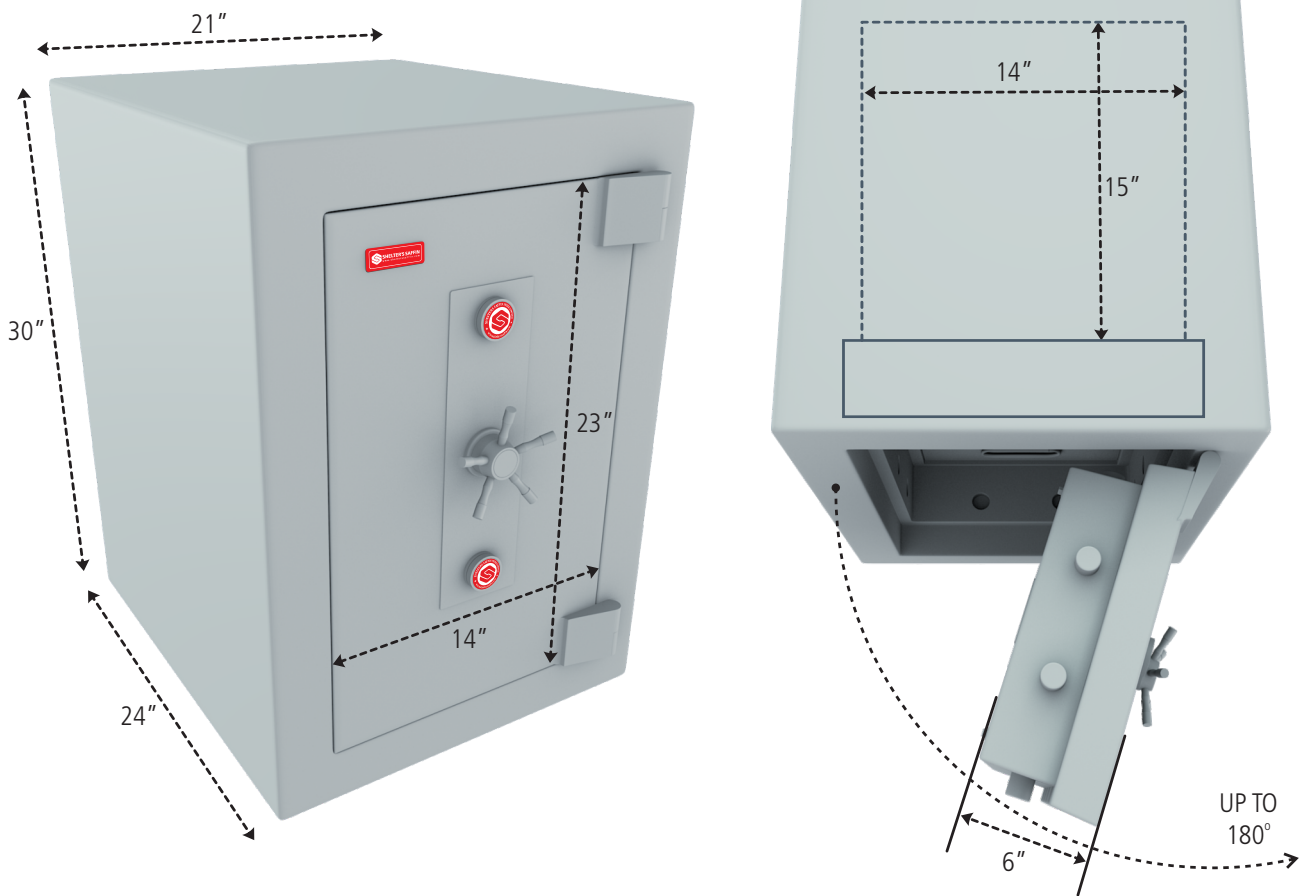
Manufacturers of High Security Vaults  
& Safety Lockers



**THRIVING  
ON SECURITY**

*"Our Intelligence, Your Safety"*

Model  
**CANNON-S30**



### TECHNICAL SPECIFICATIONS

External Dimensions	: Height 30" X Width 21" X Depth 24"	Class Type	: Class - C (TL 30 D x TL 10 x 5 - FR 30)
Internal Dimensions	: Height 23" X Width 14" X Depth 15"	Classification	: Fire, Drill, Tools, Torch & Blast Resistant
Locking Systems	: All the 4 Sides	Wall Construction	: Reinforced Harden Material
Total Wall Thickness	: 175mm (7 Inches)	Anti-Burglary System	: Anti-Theft Technology with Dead Lock System
Total Door Thickness	: 150mm (6 Inches)	Locks	: 2 Locks with Interlocking Single Door
Shooting Bolt Thickness	: 30 mm Diameter	Keys	: Single Bitted & Dual Control Keys - 4 No's
No. of Shooting Bolts	: 12 No's	Construction	: Triple Wall Construction in each sides of Safe
Adjustable Shelves	: 2 No's	Finish	: Poly Acrylic Urethane Finish
Drawers	: 1 No's	Total Weight	: 450 Kgs (Without Packing)

### LOCK OPTIONS



Electronic Encoded Lock



Biometric - Fingerprint Lock



Mechanical Combination Lock

\*Dimensions and weights are subject to variations of  $\pm$  5%-10% during manufacturing



BURGLAR RESISTANT



FIRE RESISTANT



TOOL & TORCH RESISTANT



DRILL RESISTANT



FOUR WAY SHOOTING BOLTS



DOUBLE BITTED KEYS



TRIPLE WALL CONSTRUCTION

#### MATERIAL OF UNIQUE CONSTRUCTION

- Tough Steel Plates & Armor Plates
- Oxycetylene Flame Resisting Material
- Special Fire & Hammer Resisting Material
- Highly Secured Dual Control Key Locks with S.S Keys In Duplicate



**SHELTER'S SAFFIN**  
**INDIA LIMITED**

Manufacturers of High Security Vaults & Safety Lockers

**Chennai Outlet / Office:**  
No.64, F-2, 1st Floor, Audilok Jayalakshmi, Sree Sayee Nagar Annexe, 3<sup>rd</sup> Cross Street, Virugambakkam, Chennai- 600 092.

**Other Branches :** Pondicherry, Vellore, Krishnagiri & Ramanathapuram.

**Manufacturing Unit / Office:**  
No.16, Vignesh Industrial Estate, Indunagar, Chinnavedampatti, Coimbatore - 641 049.

**Email:**  
sheltersaffin@gmail.com

**Website:**  
www.sheltersaffin.com  
www.sheltersecuritysystems.com

**Contact / WhatsApp:**  
**99443 65493**  
**95974 14141**  
**0422 2666535**