



# SHELTER'S SAFFIN INDIA LIMITED

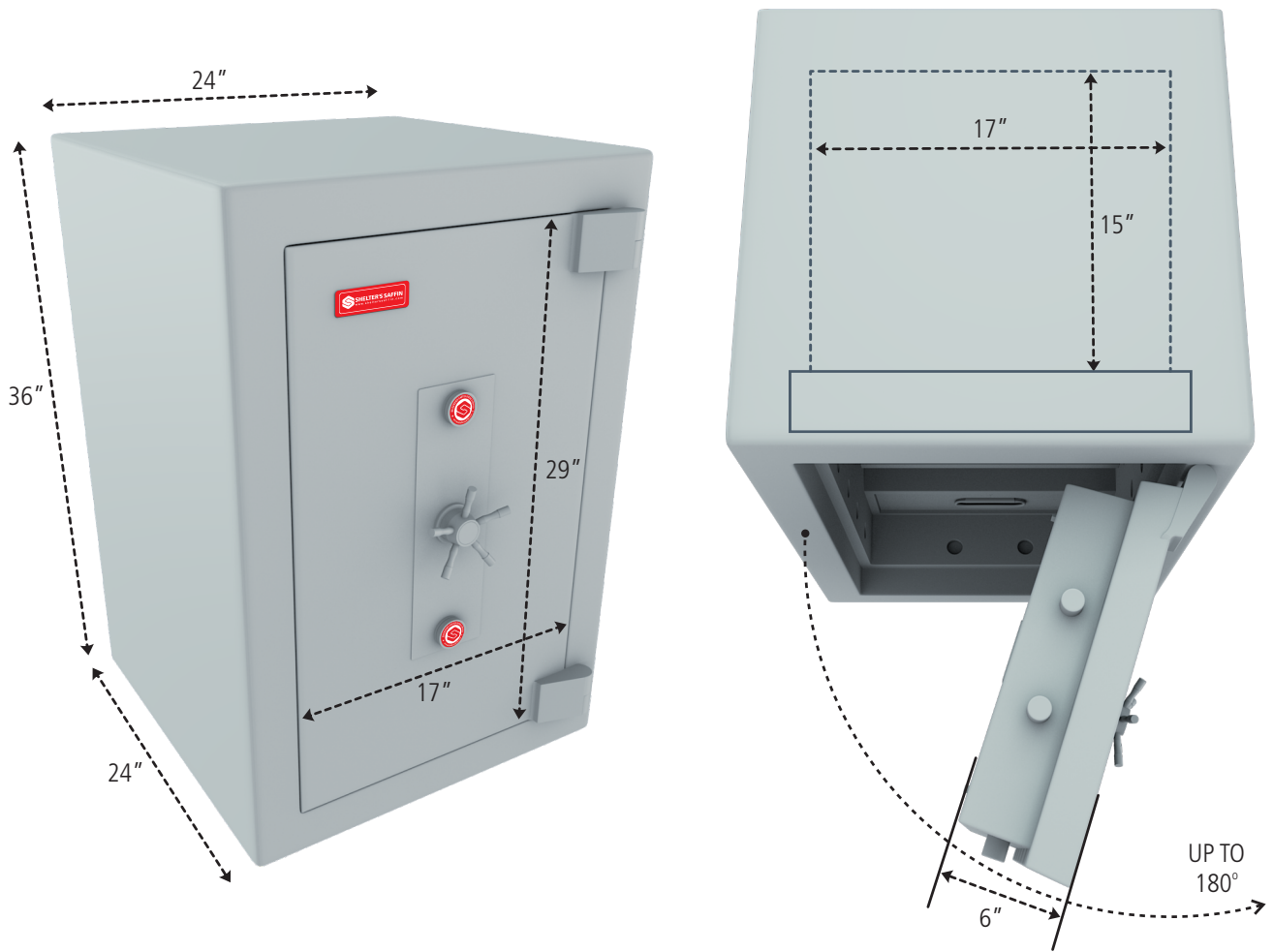
Manufacturers of High Security Vaults  
& Safety Lockers



**THRIVING  
ON SECURITY**

*"Our Intelligence, Your Safety"*

Model  
**CANNON-S36**



### TECHNICAL SPECIFICATIONS

External Dimensions	: Height 36" X Width 24" X Depth 24"	Class Type	: Class - C (TL 30 D x TL 10 x 5 - FR 30)
Internal Dimensions	: Height 29" X Width 17" X Depth 15"	Classification	: Fire, Drill, Tools, Torch & Blast Resistant
Locking Systems	: All the 4 Sides	Wall Construction	: Reinforced Harden Material
Total Wall Thickness	: 175mm (7 Inches)	Anti-Burglary System	: Anti-Theft Technology with Dead Lock System
Total Door Thickness	: 150mm (6 Inches)	Locks	: 2 Locks with Interlocking Single Door
Shooting Bolt Thickness	: 30 mm Diameter	Keys	: Single Bitted & Dual Control Keys - 4 No's
No. of Shooting Bolts	: 14 No's	Construction	: Triple Wall Construction in each sides of Safe
Adjustable Shelves	: 3 No's	Finish	: Poly Acrylic Urethane Finish
Drawers	: 1 No's	Total Weight	: 600 Kgs (Without Packing)

### LOCK OPTIONS



Electronic Encoded Lock



Biometric - Fingerprint Lock



Mechanical Combination Lock

\*Dimensions and weights are subject to variations of  $\pm$  5%-10% during manufacturing



BURGLAR RESISTANT



FIRE RESISTANT



TOOL & TORCH RESISTANT



DRILL RESISTANT



FOUR WAY SHOOTING BOLTS



DOUBLE BITTED KEYS



TRIPLE WALL CONSTRUCTION

#### MATERIAL OF UNIQUE CONSTRUCTION

- Tough Steel Plates & Armor Plates
- Oxyacetylene Flame Resisting Material
- Special Fire & Hammer Resisting Material
- Highly Secured Dual Control Key Locks with S.S Keys In Duplicate